

HG200350Series

HG200350 series with through hole 200mm , OD350mm , suitable for rotating application which requires a through hole $\leq 200\text{mm}$

Standard model supports 1-48 power rings(0-20A/ring) or 1-96 signal rings(0~5A/ring)



Features

- ◆ Multi-point brush contact material ensure long life
- ◆ Integrated structure design for easy installation
- ◆ Standard model supports 1-48 power rings(0-20A/ring) or 1-96 signal rings(0~5A/ring)
- ◆ IP 54 (IP65-IP68 can be customized)
- ◆ Both the data bus agreement compatible
- ◆ Free maintenance

Typical application

- ◆ Automatic machines
- ◆ Cable reels
- ◆ Robotics, rotary sensors, urgent illumination equipment
- ◆ Exhibit / display equipment
- ◆ Packaging
- ◆ Rotary table
- ◆ Medical,Pharmaceutical equipment
- ◆ Converting machines
- ◆ Capping machines
- ◆ Labeling machines
- ◆ Filling machine
- ◆ Machine tools

Options

- ◆ Optional for underwater IP65, IP68 Operation speed, current &voltage
- ◆ No. of rings
- ◆ Connector
- ◆ Housing material
- ◆ Position of wire outlet, wire length
- ◆ Protection level (dust and water)
- ◆ Flange mounting is optional
- ◆ Operating temperature
- ◆ Support mixed high speed data transmission(including Ethernet, USB, Profibus, Ethercat, CANOPEN, CANBUS, RS232, RS485, etc.)
- ◆ Fluidic rotary joints, FORJ and electric slip ring can be mixed.

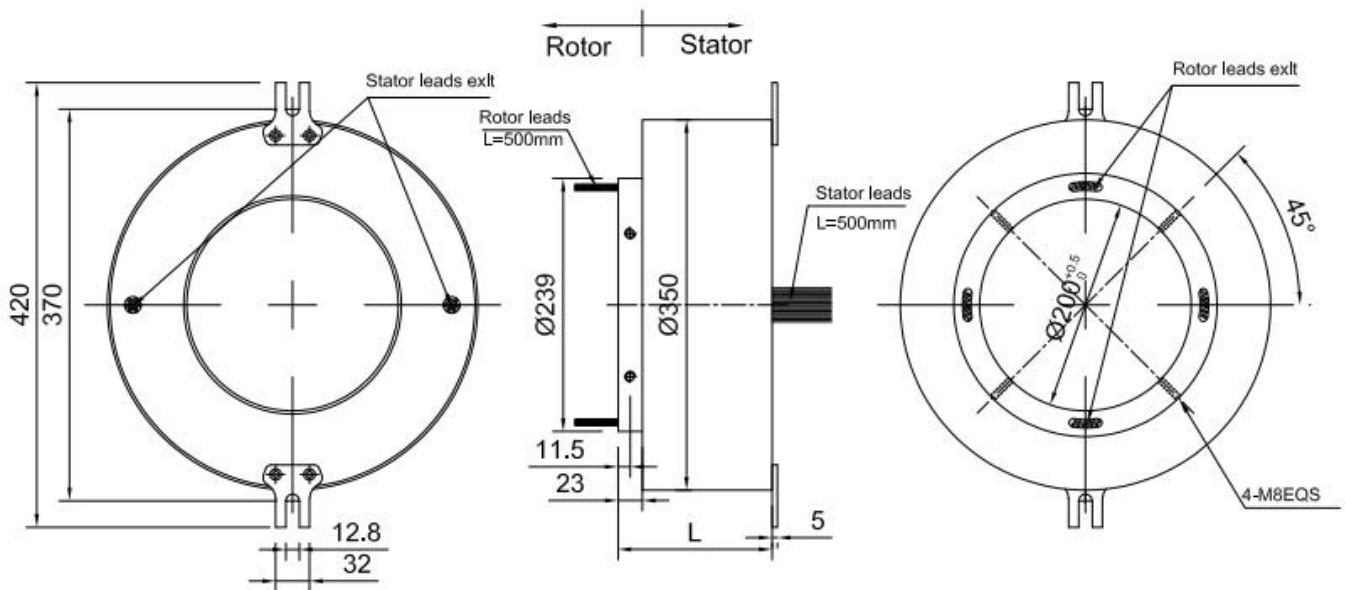
Specifications

Electrical Data			Mechanical Data	
	Power	Signal	Max. Speed	0-250 rpm
Rated Current	10A/15A/20A/ring	5A/ring	Working Temperature	-20°C~+80°C
Rated Voltage	0~380VAC/VDC	0~240VAC/VDC	Working Humidity	0-85% RH
Insulation Resistance	≥1000MΩ/500VDC	≥500MΩ/500VDC	Structure Material	Metal
Dielectric Strength	1000VAC@50Hz,60s	500VAC@50Hz,60s	Contact material	Precious metal
Wire Size	Sliver plated Teflon AWG16(10A) AWG14(15A/20A)	Sliver plated Teflon AWG22(5A)	Operating Torque	0.1N·m for 6 rings, 0.03 N·m increased for every 6 rings added
Wire Length	Standard 500mm(adjustable)			
Dynamic Resistance	<0.01Ω		Protection level	IP54

Wires Color Code

Ring#	1	2	3	4	5	6	7	8	9	10	11	12
Color	RED	YEL	BLK	BLU	GRN	WHT	PUP	GRY	BRN	ORN	DBLU	KHK

Drawing for HG200350



Model List

Model	Power Ring (10A/15A/20A)	Signal Ring(5A)	Length L(mm)
HG200350-6P	6	-	145.5
HG200350-12S	-	12	145.5
HG200350-12P	12	-	193.5
HG200350-6P/12S	6	12	193.5
HG200350-24S	-	24	193.5
HG200350-18P	18	-	241.5
HG200350-12P/12S	12	12	241.5
HG200350-6P/24S	6	24	241.5
HG200350-36S	-	36	241.5
HG200350-24P	24	-	289.5
HG200350-18P/12S	18	12	289.5
HG200350-12P/24S	12	24	289.5
HG200350-6P/36S	6	36	289.5
HG200350-48S	-	48	289.5
HG200350-30P	30	-	337.5
HG200350-24P/12S	24	12	337.5
HG200350-18P/24S	18	24	337.5
HG200350-12P/36S	12	36	337.5
HG200350-6P/48S	6	48	337.8
HG200350-60S	-	60	337.5
HG200350-36P	36	-	385.5
HG200350-30P/12S	30	12	385.5
HG200350-24P/24S	24	24	385.5
HG200350-18P/36S	18	36	385.5
HG200350-12P/48S	12	48	385.5
HG200350-6P/60S	6	60	385.5
HG200350-72S	-	72	385.5
HG200350-42P	42	-	433.5
HG200350-36P/12S	36	12	433.5
HG200350-30P/24S	30	24	433.5
HG200350-24P/36S	24	36	433.5
HG200350-18P/48S	18	48	433.5
HG200350-12P/60S	12	60	433.5
HG200350-6P/72S	6	72	433.5
HG200350-84S	-	84	433.5

HG200350-48P	48	-	481.5
HG200350-42P/12S	42	12	481.5
HG200350-36P/24S	36	24	481.5
HG200350-30P/36S	30	36	481.5
HG200350-24P/48S	24	48	481.5
HG200350-18P/60S	18	60	481.5
HG200350-12P/72S	12	72	481.5
HG200350-6P/84S	6	84	481.5
HG200350-96S	-	96	481.5