

HG250407 Series

HG250407 series with through hole 250mm , OD407mm , suitable for rotating application which requires a through hole ≤ 250 mm

Standard model supports 1-48 power rings(0-20A/ring) or 1-96 signal rings(0~5A/ring)



Features

- ◆ Multi-point brush contact material ensure long life
- ◆ Integrated structure design for easy installation
- ◆ Standard model supports 1-48 power rings(0-20A/ring) or 1-96 signal rings(0~5A/ring)
- ◆ IP 54 (IP65-IP68 can be customized)
- ◆ Both the data bus agreement compatible
- ◆ Free maintenance

Typical application

- ◆ Automatic machines
- ◆ Cable reels
- ◆ Robotics, rotary sensors, urgent illumination equipment
- ◆ Exhibit / display equipment
- ◆ Packaging
- ◆ Rotary table
- ◆ Medical,Pharmaceutical equipment
- ◆ Converting machines
- ◆ Capping machines
- ◆ Labeling machines
- ◆ Filling machine
- ◆ Machine tools

Options

- ◆ Optional for underwater IP65, IP68 Operation speed, current &voltage
- ◆ No. of rings
- ◆ Connector
- ◆ Housing material
- ◆ Position of wire outlet, wire length
- ◆ Protection level (dust and water)
- ◆ Flange mounting is optional
- ◆ Operating temperature
- ◆ Support mixed high speed data transmission(including Ethernet, USB, Profibus, Ethercat, CANOPEN, CANBUS, RS232, RS485, etc.)
- ◆ Fluidic rotary joints, FORJ and electric slip ring can be mixed.

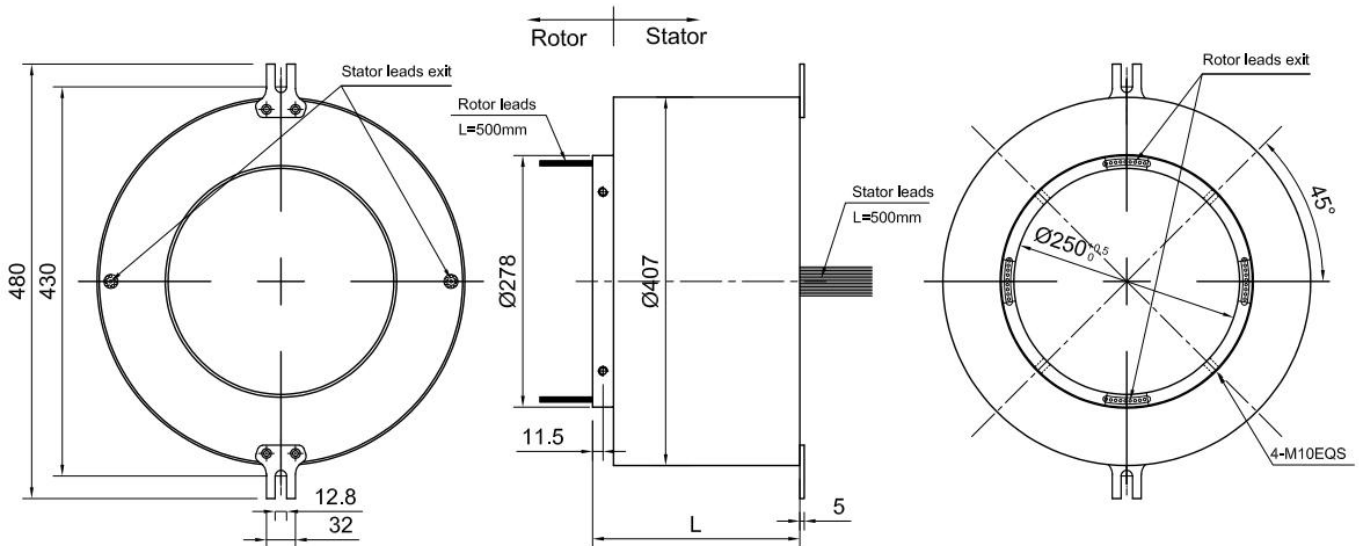
Specifications

| Electrical Data | | | Mechanical Data | |
|-----------------------|------------------------------------------------------|-----------------------------------|---------------------|----------------------------------------------------------------------|
| | Power | Signal | Max. Speed | 0-250 rpm |
| Rated Current | 10A/15A/20A/ring | 5A/ring | Working Temperature | -20°C~+80°C |
| Rated Voltage | 0~380VAC/VDC | 0~240VAC/VDC | Working Humidity | 0-85% RH |
| Insulation Resistance | ≥1000MΩ/500VDC | ≥500MΩ/500VDC | Structure Material | Metal |
| Dielectric Strength | 1000VAC@50Hz,60s | 500VAC@50Hz,60s | Contact material | Precious metal |
| Wire Size | Sliver plated Teflon AWG16(10A) AWG14(15A/20A) | Sliver plated Teflon AWG22(5A) | Operating Torque | 0.1N·m for 6 rings, 0.03 N·m increased for every 6 rings added |
| Wire Length | Standard 500mm(adjustable) | | | |
| Dynamic Resistance | <0.01Ω | | Protection level | IP54 |

Wires Color Code

| Ring# | 1 | 2 | 3 | 4 | 5 | 6 | 7 | 8 | 9 | 10 | 11 | 12 |
|-------|-----|-----|-----|-----|-----|-----|-----|-----|-----|-----|------|-----|
| Color | RED | YEL | BLK | BLU | GRN | WHT | PUP | GRY | BRN | ORN | DBLU | KHK |

Drawing for HG250407



Model List

| Model | Power Ring (10A/15A/20A) | Signal Ring(5A) | Length L(mm) |
|------------------|-----------------------------|-----------------|--------------|
| HG250407-6P | 6 | - | 146.5 |
| HG250407-12S | - | 12 | 146.5 |
| HG250407-12P | 12 | - | 194.5 |
| HG250407-6P/12S | 6 | 12 | 194.5 |
| HG250407-24S | - | 24 | 194.5 |
| HG250407-18P | 18 | - | 242.5 |
| HG250407-12P/12S | 12 | 12 | 242.5 |
| HG250407-6P/24S | 6 | 24 | 242.5 |
| HG250407-36S | - | 36 | 242.5 |
| HG250407-24P | 24 | - | 290.5 |
| HG250407-18P/12S | 18 | 12 | 290.5 |
| HG250407-12P/24S | 12 | 24 | 290.5 |
| HG250407-6P/36S | 6 | 36 | 290.5 |
| HG250407-48S | - | 48 | 290.5 |
| HG250407-30P | 30 | - | 338.5 |
| HG250407-24P/12S | 24 | 12 | 338.5 |
| HG250407-18P/24S | 18 | 24 | 338.5 |
| HG250407-12P/36S | 12 | 36 | 338.5 |
| HG250407-6P/48S | 6 | 48 | 338.5 |
| HG250407-60S | - | 60 | 338.5 |
| HG250407-36P | 36 | - | 386.5 |
| HG250407-30P/12S | 30 | 12 | 386.5 |
| HG250407-24P/24S | 24 | 24 | 386.5 |
| HG250407-18P/36S | 18 | 36 | 386.5 |
| HG250407-12P/48S | 12 | 48 | 386.5 |
| HG250407-6P/60S | 6 | 60 | 386.5 |
| HG250407-72S | - | 72 | 386.5 |
| HG250407-42P | 42 | - | 434.5 |
| HG250407-36P/12S | 36 | 12 | 434.5 |
| HG250407-30P/24S | 30 | 24 | 434.5 |
| HG250407-24P/36S | 24 | 36 | 434.5 |
| HG250407-18P/48S | 18 | 48 | 434.5 |
| HG250407-12P/60S | 12 | 60 | 434.5 |
| HG250407-6P/72S | 6 | 72 | 434.5 |
| HG250407-84S | - | 84 | 434.5 |

| | | | |
|------------------|----|----|-------|
| HG250407-48P | 48 | - | 482.5 |
| HG250407-42P/12S | 42 | 12 | 482.5 |
| HG250407-36P/24S | 36 | 24 | 482.5 |
| HG250407-30P/36S | 30 | 36 | 482.5 |
| HG250407-24P/48S | 24 | 48 | 482.5 |
| HG250407-18P/60S | 18 | 60 | 482.5 |
| HG250407-12P/72S | 12 | 72 | 482.5 |
| HG250407-6P/84S | 6 | 84 | 482.5 |
| HG250407-96S | - | 96 | 482.5 |