

Pin Type Slip Ring - HM Series

Slip rings of the Pin type series apply multiple contact points to assure long life-span due to the low contact wear rates, while guaranteeing low contact resistance.

IP rating up to IP68 to makes the slip ring washable, guaranteeing protection against low pressure jets if watered from all directions.



Features

- ◆ Mercury free, environmentally
- ◆ Multi-point brush contact material ensure long life
- ◆ Integrated structure design for easy installation
- ◆ Standard model supports 2-5rings power or signal(0~20A/ring)
- ◆ IP 51, IP54 and IP68
- ◆ Free maintenance
- ◆ Transmitting power and sensitive signals

Typical application

- ◆ Flowpack machines
- ◆ Packaging
- ◆ Cable reels
- ◆ Process control
- ◆ Rotary table
- ◆ Medical, Pharmaceutical equipment
- ◆ Converting machines

Options

- ◆ Optional for underwater IP65, IP68
- ◆ Working speed, current & voltage
- ◆ No. of rings
- ◆ Housing material
- ◆ Protection level (dust and water)
- ◆ Working temperature

Standard Model for pin type slip ring HM series

Model	No. of Rings		Dimensions		RPM	IP rating	Housing material
	Power 20A/ring	Signal 5A/ring	OD(mm)	L(mm)			
HM032-2-ABS	2	--	32	46.5	0~400	IP54	Engineering plastic
HM032-2-AL	2	--	32	46.5	0~400	IP65	Aluminum alloy
HM032-2-SL	2	--	32	46.5	0~400	IP68	Stainless steel
HM032-3-ABS	3	--	32	46.5	0~400	IP54	Engineering plastic
HM032-3-AL	3	--	32	46.5	0~400	IP65	Aluminum alloy
HM032-3-SL	3	--	32	46.5	0~400	IP68	Stainless steel
HM032-4-ABS	4	--	32	46.5	0~400	IP54	Engineering plastic
HM032-4-AL	4	--	32	46.5	0~400	IP65	Aluminum alloy
HM032-4-SL	4	--	32	46.5	0~400	IP68	Stainless steel
HM032-5-ABS	5	--	32	46.5	0~400	IP54	Engineering plastic
HM032-5-AL	5	--	32	46.5	0~400	IP65	Aluminum alloy
HM032-5-SL	5	--	32	46.5	0~400	IP68	Stainless steel

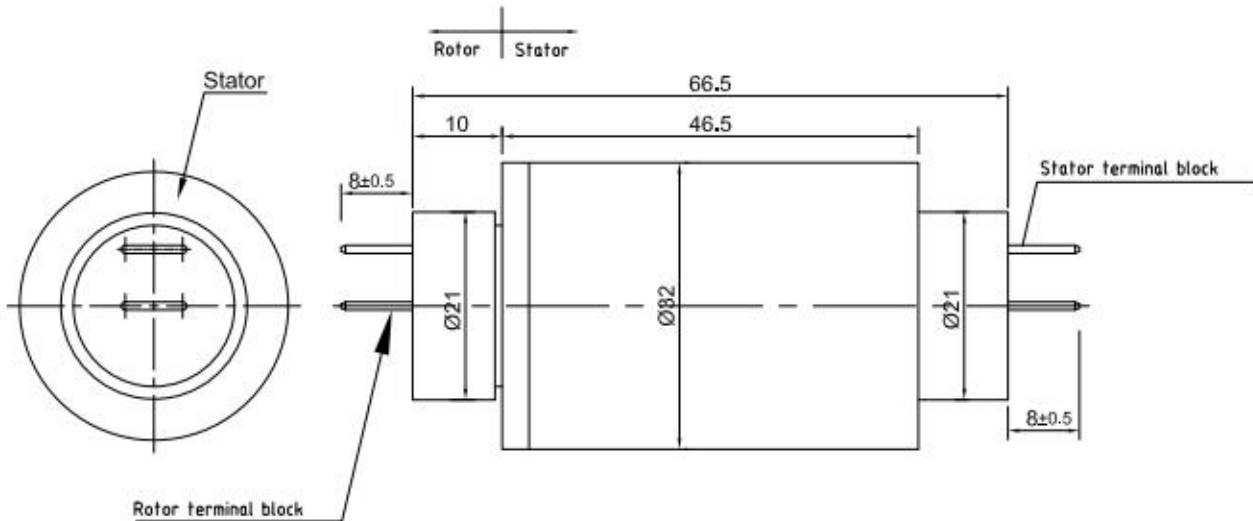
Product Code

For standard versions	HM XXX – X – XX
	1 2 3 4
1 Series	
2 Outer dimension of housing Eg, XXX= 032, the OD is 32mm	
3 Number of rings Eg, X= 2, the number of rings is 2	
4 XX=Protection, ABS is IP54, AL is IP65, SL is IP68	

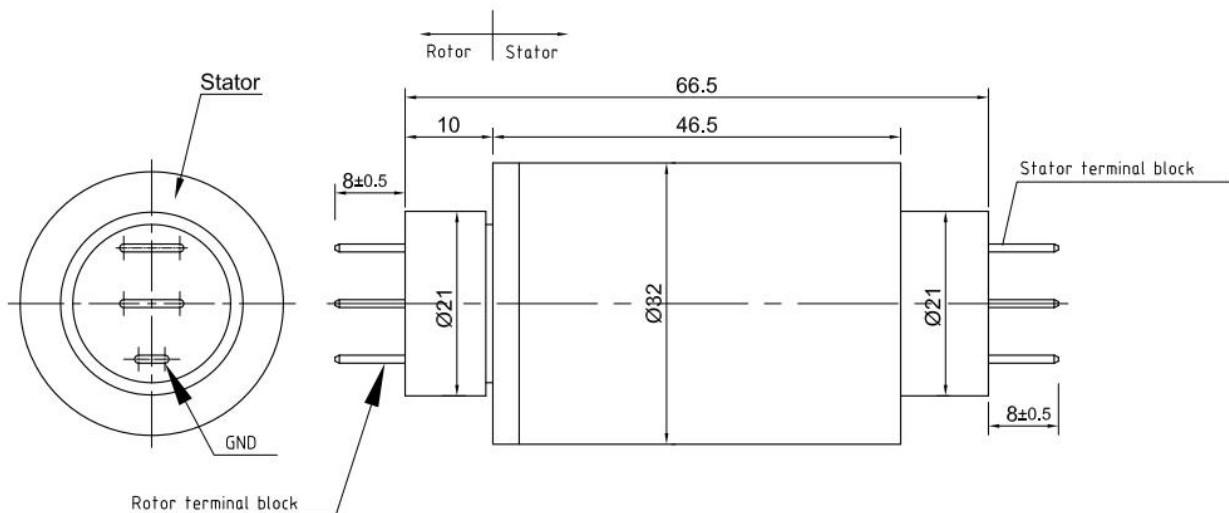
Specifications

Electrical Data			Mechanical Data	
	Power	Signal	Working Speed	0-400RPM
Rated Current	20A/ring	5A/ring	Working Temperature	-20°C~+80°C
Rated Voltage	0~380VAC/VDC	0~240/VDC	Working Humidity	0-85% RH
Insulation Resistance	≥500MΩ/500VDC		Structure Material	Engineering plastic
Dielectric Strength	1000VAC@50Hz,60s		Contact material	Gold to Gold
Dynamic Resistance	<0.01Ω		Protection level	IP54, IP65, IP68

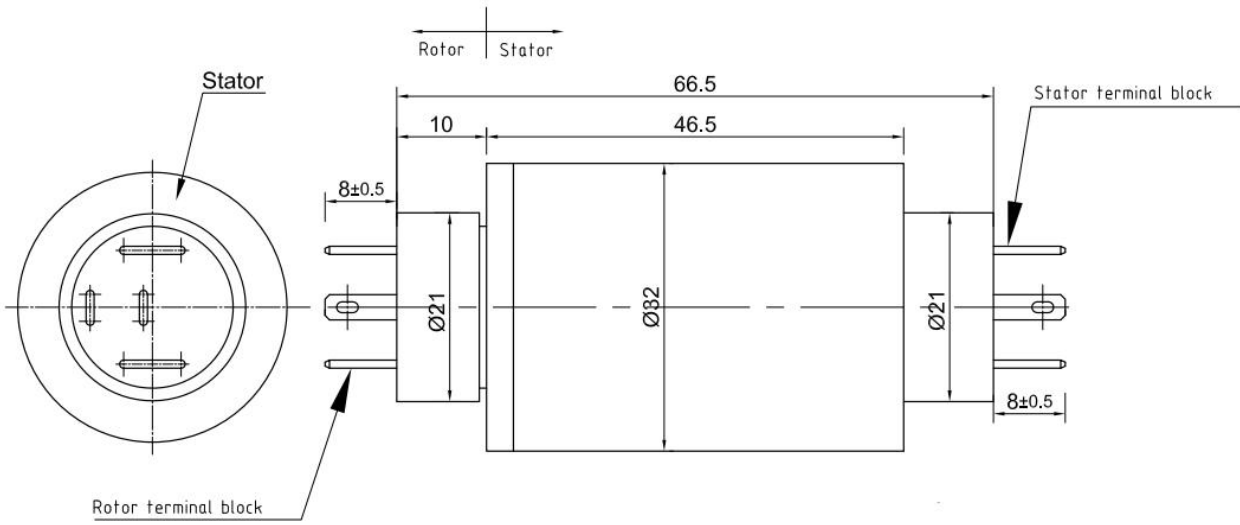
Drawing for Outline Dimension HM032-2



Drawing for Outline Dimension HM032-3



Drawing for Outline Dimension HM032-4



Drawing for Outline Dimension HM032-5

