

### FHG80180 Series

Slip rings of the FHG80180 series are specially design for IP65~68 water-proof and dust-proof slip ring, Grand applies noble precious metal reduced noises and interference between circuits, low friction torque assures long life-span. FHG80180 series with through hole 80mm, OD180mm, suitable for rotating application which requires a through hole  $\leq 80\text{mm}$ , Standard model supports 1-48 power rings(0-20A/ring) or 1-96 signal rings(0~5A/ring)

### Features

- ◆ Waterproof slip ring, IP68, can work underwater of 1500M deep ocean, mainly applied to ships and oil wells.
- ◆ Multi-point brush contact material ensure long life
- ◆ Anti-corrosion stainless steel housing for better protection
- ◆ Integrated structure design for easy installation
- ◆ Standard model and customization are available
- ◆ Standard model supports 1-96rings power or signal(0~20A/ring)
- ◆ Free maintenance

### Typical applications

- ◆ Automatic machines
- ◆ Cable reels
- ◆ Robotics, rotary sensors, urgent illumination equipment
- ◆ Exhibit / display equipment
- ◆ Packaging
- ◆ Rotary table
- ◆ Medical,Pharmaceutical equipment
- ◆ Converting machines
- ◆ Capping machines
- ◆ Labeling machines
- ◆ Filling machine
- ◆ Machine tools

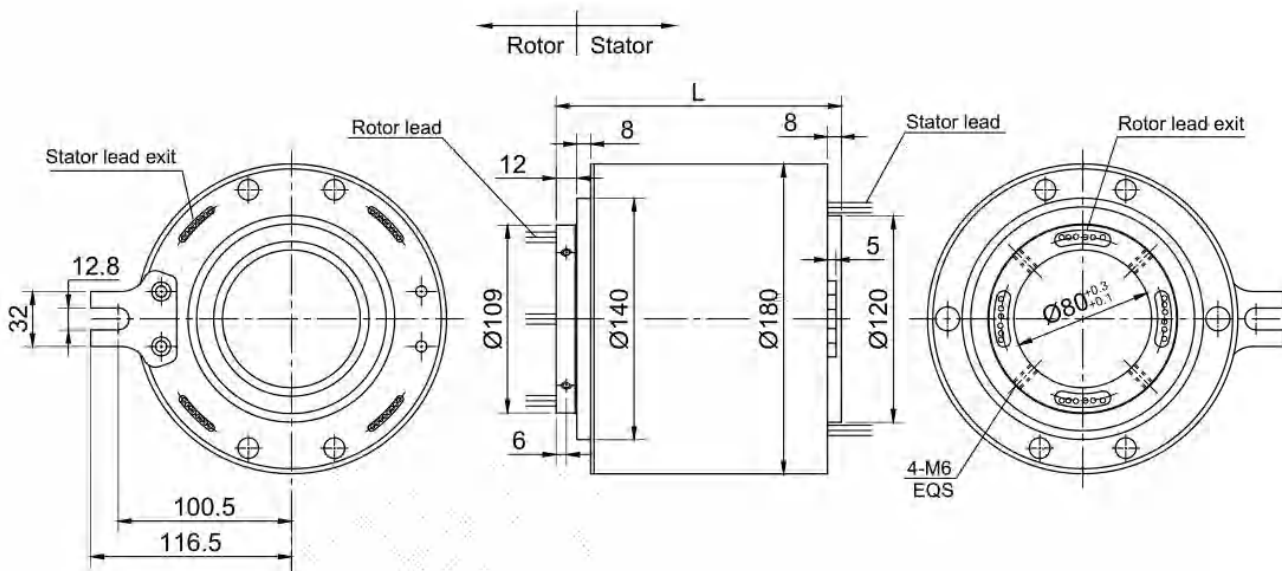
### Options

- ◆ No. of rings
- ◆ Current &voltage
- ◆ Connector
- ◆ Housing material
- ◆ Position of wire outlet, wire length
- ◆ Flange mounting is optional
- ◆ Operating temperature
- ◆ Support mixed high speed data transmission(including Ethernet, USB, Profibus, Ethernet, CANOPEN, CANBUS, RS232, RS485, etc.)
- ◆ Fluidic rotary joints, FORJ and electric slip ring can be mixed.

## Specifications

Electrical Data		Mechanical Data	
No of rings	1~72rings	Inner Diameter	80mm
Rated Voltage	0~240 VAC/VDC	Outer Diameter	180mm
Rated Current	5A/ring,10A/ring, 15A/ring,20A/ring	Working Speed	0-250rpm
Lead Size	Sliver plated Teflon colour coded AWG22(5A), AWG16(10A), AWG14(15A/20A)	Working Temperature	-40°C~+80°C
Lead Length	Standard 500mm (adjustable)	Working Humidity	60% RH or higher
Dielectric Strength	500VAC@50HZ,60S	Housing Material	Aluminum alloy
Insulation Resistance	500MΩ/500VDC	Contact material	Precious material
Electrical Noise	<0.01Ω	IP rating	IP65~IP68

## Drawing for Outline Dimension



## Model List

Model	Power Ring (10A/15A/20A)	Signal Ring(5A)	Length (mm)
FHG80180-6P	6	-	105
FHG80180-12S	-	12	105
FHG80180-12P	12	-	135
FHG80180-6P/12S	6	12	135
FHG80180-24S	-	24	135
FHG80180-18P	18	-	165
FHG80180-12P/12S	12	12	165

FHG80180-6P/24S	6	24	165
FHG80180-36S	-	36	165
FHG80180-24P	24	-	195
FHG80180-18P/12S	18	12	195
FHG80180-12P/24S	12	24	195
FHG80180-6P/36S	6	36	195
FHG80180-48S	-	48	195
FHG80180-30P	30	-	225
FHG80180-24P/12S	24	12	225
FHG80180-18P/24S	18	24	225
FHG80180-12P/36S	12	36	225
FHG80180-6P/48S	6	48	225
FHG80180-60S	-	60	225
FHG80180-36P	36	-	255
FHG80180-30P/12S	30	12	255
FHG80180-24P/24S	24	24	255
FHG80180-18P/36S	18	36	255
FHG80180-12P/48S	12	48	255
FHG80180-6P/60S	6	60	255
FHG80180-72S	-	72	255
FHG80180-42P	42	-	285
FHG80180-36P/12S	36	12	285
FHG80180-30P/24S	30	24	285
FHG80180-24P/36S	24	36	285
FHG80180-18P/48S	18	48	285
FHG80180-12P/60S	12	60	285
FHG80180-6P/72S	6	72	285
FHG80180-84S	-	84	285
FHG80180-48P	48	-	315
FHG80180-42P/12S	42	12	315
FHG80180-36P/24S	36	24	315
FHG80180-30P/36S	30	36	315
FHG80180-24P/48S	24	48	315
FHG80180-18P/60S	18	60	315
FHG80180-12P/72S	12	72	315
FHG80180-6P/84S	6	84	315
FHG80180-96S	-	96	315